

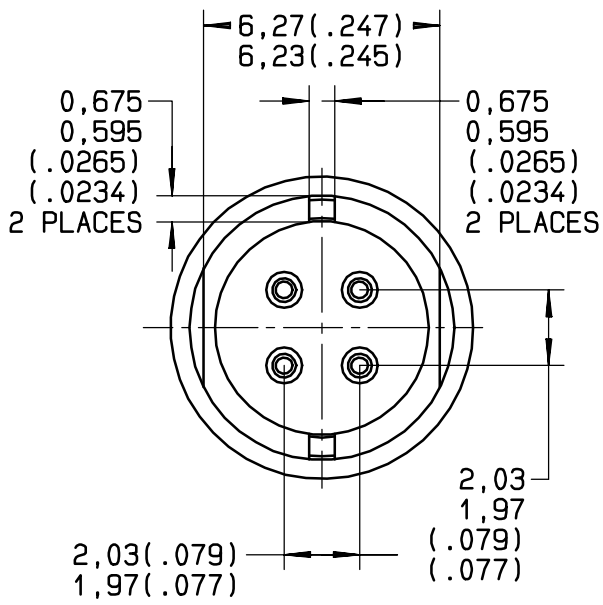
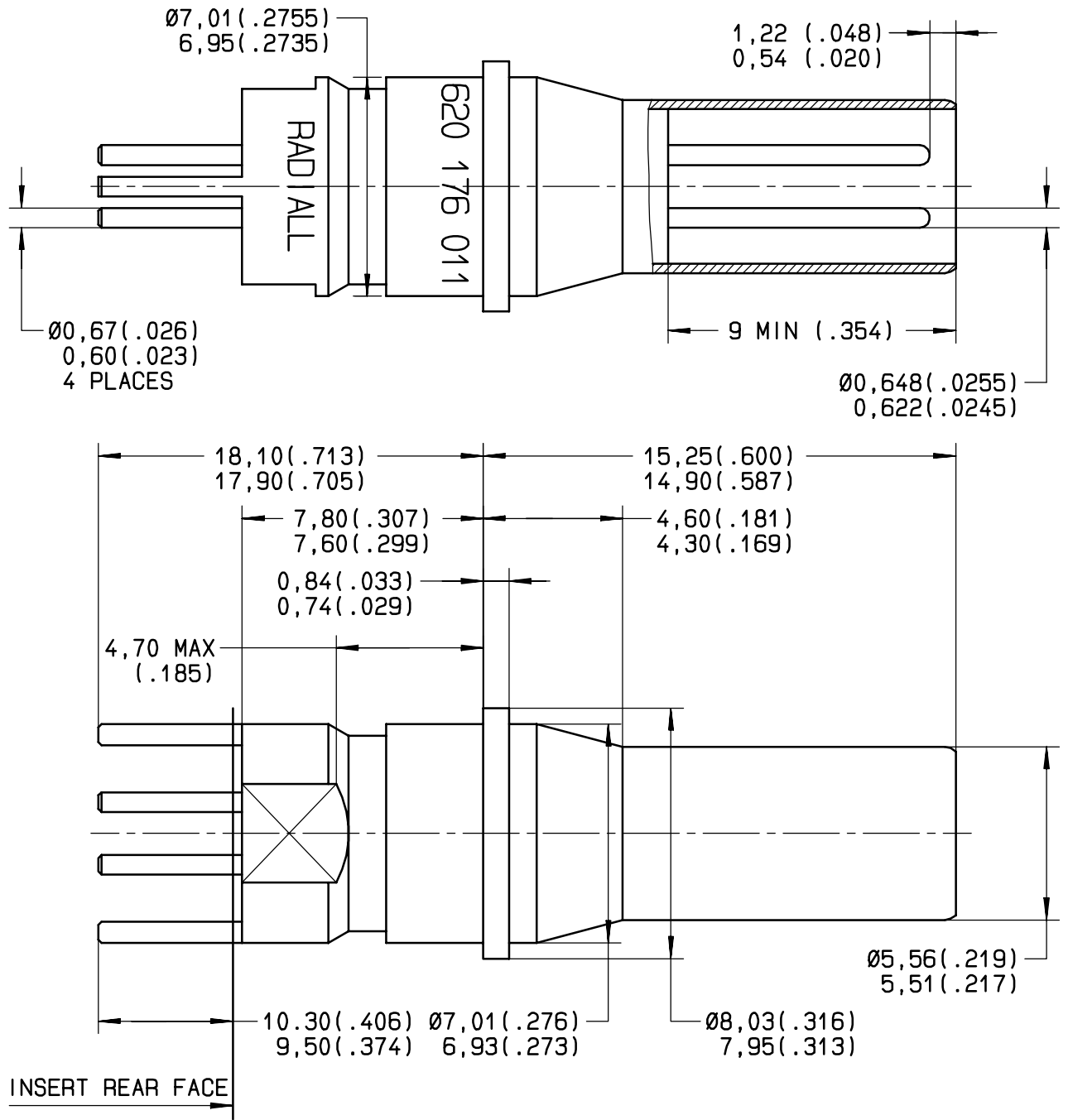


Series
NSX

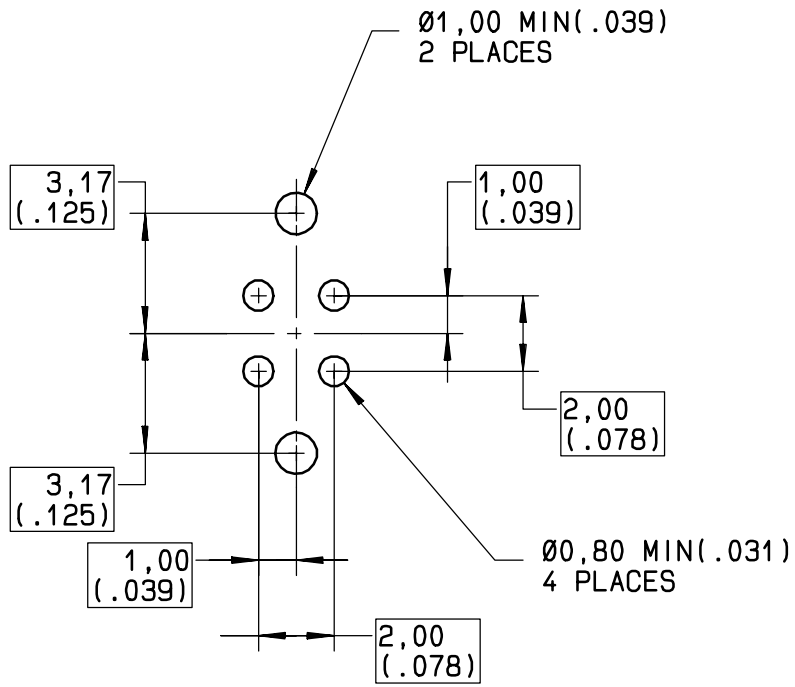
SIZE 8 FRONT RELEASE. FRONT REMOVABLE
PC POST PIN QUADRAX CONTACT

Issue:
23 APRIL 2002

Page
1 / 1



RECOMMENDED PC DRILL PATTERN



*MATERIAL:

- OUTER CONTACT: BRASS PER QQ-B-626
- CENTER CONTACT: BODY LEADED NICKEL COPPER (C97)
- DIELECTRICS: FPTE PER ASTM-D-1710 OR EQUIVALENT

*FINISH:

- ALL METAL PARTS:
PLATING .00005 INCH OF GOLD PER MIL-G-45204 TYPE I OR II
GRADE C OR D CLASS 1 OVER NICKEL PER QQ-N-290

*EXTRACTION TOOL:

- RADIALL P/N: 282 549 009

This information is given as an indication. In the continual goal to improve our products, we reserve the right to make any modifications judged necessary.

4112-9610

CREATION
PEN: M000104382C
NOM: COUTHON
DATE: 07 MARCH 02
APPR.: MACARI	APR 23 02	MARKING 620176008 DEVIENT 620176011	COUTHON	MACARI
	Issue	Revisions	Name	Approved